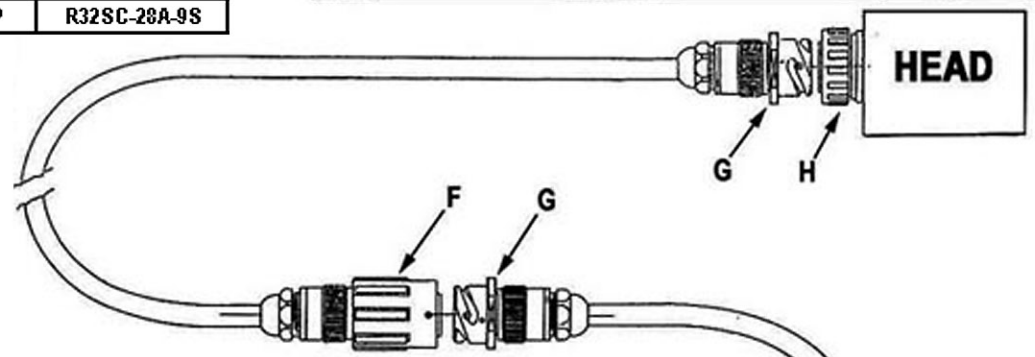
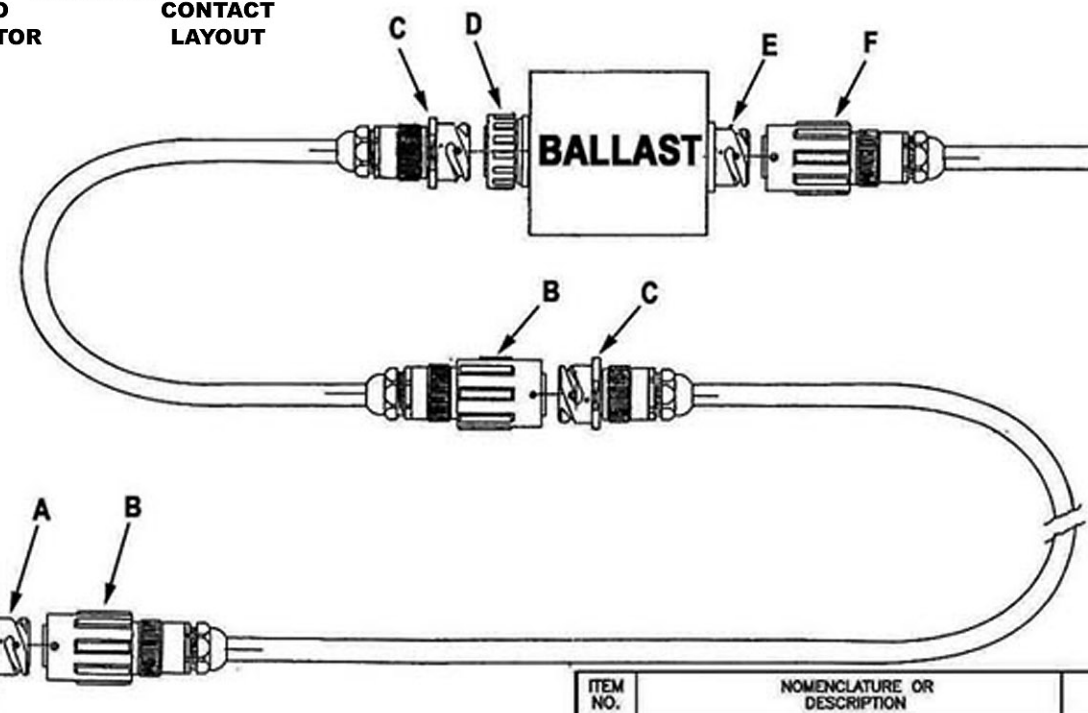
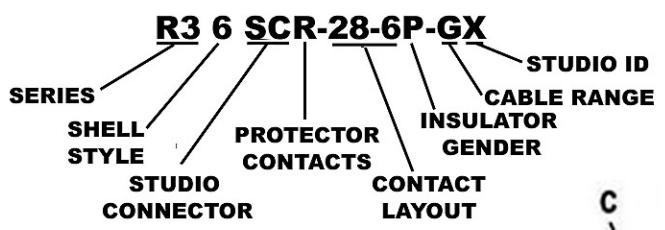


WATTS	A	B	C	D	E
6K, 12K, 18K	R32SCR-28-6S	R36SCR-28-6P-GX	R31SCR-28-6S-GX	R36PPR-28-6P	R32SC-28A-9S
		F	G	H	
		R36SC-28A-9P-GX	R31SC-28A-9S-GX	R36PP-28A-9P	

REVISIONS		
LTR	DESCRIPTION	DATE



PART NUMBER BREAK DOWN



PIN CODE	CABLE RANGE - inch
AX	.12 - .37
BX	.28 - .48
CX	.31 - .56
DX	.50 - .75
EX	.70 - .95
FX	.71 - .98
GX	1.0 - 1.2

THE INFORMATION DISCLOSED HEREIN WAS ORIGINATED BY AND IS THE PROPERTY OF R3 CONNECTOR SYSTEMS, INC., AND, EXCEPT FOR USES EXPRESSLY GRANTED TO THE UNITED STATES GOVERNMENT, R3 RESERVES ALL PATENT, PROPRIETARY, DESIGN, USE, SALE, MANUFACTURING, AND REPRODUCTION RIGHTS THERETO. THIS DOES NOT APPLY TO ANY VENDOR PARTS. THE CONTENTS OF THIS DRAWING, OR ANY PORTION THEREOF, MAY NOT BE REPRODUCED WITHOUT THE EXPRESS WRITTEN CONSENT OF R3 CONNECTOR SYSTEMS, INC.

UNLESS OTHERWISE SPECIFIED: DIMENSIONS ARE IN INCHES TOLERANCES
 DECIMALS .XX ±.03
 .XXX ±.010
 ANGULAR ±1°
 DO NOT SCALE DRAWING

TREATMENT

FINISH

SIMILAR TO ACT. WT CALC WT

CONTRACT NO.

DRAWN DATE

CHECK

DESIGN

DESIGN ACTIVITY

CUSTOMER

R3 CONNECTOR SYSTEMS INC.
 13912 MOUNTAIN AVE., CHINO, CA 91710 (909)-548-3255 www.r3connectors.com

TITLE: **HMI LAMP 6000W - 18000W R3... SC SERIES SCHEMATIC**

SIZE: **B** DRAWING NUMBER: _____ REV: _____

SCALE: _____ RELEASE DATE: _____ SHEET: _____